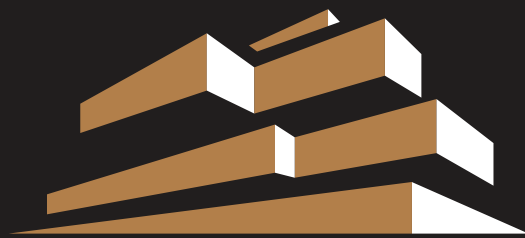
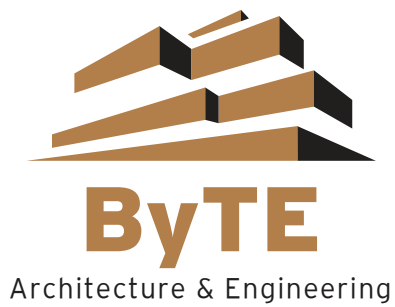


**PRODUCT
CATALOGUE**
2021



ByTE

Architecture & Engineering



ABOUT US

Byte ARCHITECTURE & ENGINEERING With the help of years of experience in aluminum extrusion profile business, Byte ARCHITECTURE & ENGINEERING is starting to operate in a new field in which it can provide innovative and sustainable solutions under the brand name of BYTE.

As Byte ARCHITECTURE & ENGINEERING, we are taking firm steps to become the leading brand of Aluminum Outdoor Systems.

PANORAMA

In order to create and preserve the unity between the indoor and outdoor spaces which is disrupted by traditional glazing solutions, HUUN offers innovative and aesthetic solutions through BYTE PANORAMA

BYTE PANORAMA is a system that lets you move vertically aligned glasses up and down with a remote control, a smartphone or a tablet. Glasses move tightly thanks to straticulate side rails and a tubular motor which moves chains and the special gear. BYTE PANORAMA is the patent holder and the first brand to develop this special mechanism.



With Byte Panorama the user can adjust the height of the glasses remotely to let the desirable amount of fresh air in and control the air flow. Byte Panorama will transform indoor living areas into more spacious, wider, brighter, fresher and more enjoyable versions of themselves. Byte Panorama , along with the innovative and perfectionist approach of Byte, is the best solution among its alternatives for applications in commercial and residential places.

Panorama Advantages

- ✓ Byte Panorama is a new generational solution in the field of aluminum glass systems. It is a system that can easily be applied in residential and commercial living places.
- ✓ With Byte Panorama, Byte Arc. offers its valuable customers an excellent product that can be used both in new buildings and in existing ones, and that is compatible with many architectural forms.
- ✓ Invisible screws and integrity of the system emphasize simplicity in design.
- ✓ Wide glass lets daylight in and help save energy with natural lighting.
- ✓ Specially developed sound insulation technology covering the motor module reduces the noise to a minimum while the system operates.
- ✓ The systems can be controlled individually or simultaneously with a remote control.
- ✓ Glass profiles do not disturb the design of the system and the view of the user.
- ✓ Since the windows move vertically in Byte Panorama , any furniture can be placed in front of the systems.



Application and Combination

BYTE offers a choice of Panorama and Panorama Thermal (with and without thermal insulation) for different applications. Maximum system sizes for different combinations of panorama;



TYPE OF SYSTEM	1+1	1+2	1+3
Panorama	Yes	Yes	Yes
Panorama <i>Thermal</i>	Yes	Yes	No

Measure Options

In all combinations, the 1st glass is stationary and the others are movable. In this way, both space saving and integrity are achieved in the environment.



Panorama			Panorama <i>Thermal</i>				
	1+1	1+2	1+3		1+1	1+2	1+3
Width	4,00	3,60	3,60	Width	4,00	3,60	No
Height	2,40	3,60	3,60	Height	2,40	3,60	No

Housing Applications

When the panorama is open, your outdoor areas like patio and balcony become a whole with your garden. On the contrary, thanks to the thin glass profiles, your view is not split. With the different aluminum and glass color options offered by the panorama, the most suitable color combination can be selected for the application area. In addition, the number of glasses in the system can be determined by the user provided that they remain within the system limits. In this way, different fixed glass heights are obtained according to the changing number of glasses and the user has the possibility to choose the most suitable one among them. Panorama gives the end user the chance to create a special corner where they can find peace and harmony in their homes for 4 seasons.



Commercial Applications

With Panorama, we offer a new generation solution to business owners instead of traditional moving aluminum glass systems. By choosing the aluminum and glass color they want, our customers will have a solution that will add aesthetics, usefulness and value to the business without disturbing the integrity of their businesses such as hotels, cafes and restaurants. Panorama adds a stylish design to your business while delivering volume and value. In this way, business owners can accommodate more customers. By keeping the windows closed during the winter season, the indoor space provided can easily be heated by any heating system. Panorama helps businesses not only save space but also save energy. Thanks to these advantages, the return on investment for Panorama system is very short and it makes a great contribution to the enterprises to make a profit in the short term.

Material and System Parts

The movable mechanism used in panorama system, glass and aluminum are manufactured in accordance with the highest quality and standards.

Aluminum 1. Quality T6 heat treated 6063 alloy is produced in our own factory. For this reason, we can control all parameters of aluminum from raw material to final product in order to achieve the desired quality.

Aluminum is highly resistant to corrosion and lightweight. All components that make up the system are used in the system after careful and long tests have proved their suitability to Panorama system.

Color Selection: Aluminum surface can be painted to any desired RAL color options (QUALICOAT Certified), anodized surface can be provided and even wood can be coated. This enables our customers to customize the Panorama system as they wish, while at the same time protecting the aluminum surface from interferences with environmental factors.

Our systems offer opaque, tinted green, blue, bronze, transparent and reflective glass options.

TEKNİK DETAYLAR

Üst kutunun içerisinde 3,5 mm kalınlıkta sistemin çalışma sesini 30- 35 dB azaltan sıcak dökülmüş izolasyon bariyeri bulunmaktadır.

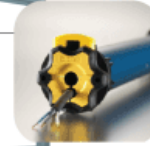
EPDM'den imal edilmiş balon fitiller üst kutunun altına konularak sistem kapalıyken toz, hava, su ve ses girişine engel olur.

Camla ilgili bir sorun oluştuğunda, sistemi yerinden sökmeden modüler raylar sayesinde problem kolaylıkla giderilebilir.

Geniş cephe projelerinde, herhangi harici bir yapıya gerek kalmadan, kutu profilleri iki Panorama'nın birleşim yerlerinde kullanılabilir. Standard kutu profili ölçüleri 2X12 cm, 4X12 cm ve 6X12 cm şeklindedir.



D I N 8 1 8 7 Standartlarına uygun üretilen zincirin sertliği dişliyle uyum gösterir ve da kullanım süresini maksimuma çıkarır.



Sistemde 120 N.m nominal tork üreten Somfy Altus RTS motoru kullanılmaktadır. Motor enerji tüketimi 350 W olup, 168 kg'a kadar yük kapasitesine sahiptir.



Isıl işlem görmüş dişli, sistem için özel olarak tasarlanıp üretilmiştir. Galvaniz kaplama olduğu için korozyona dayanıklıdır ve uzun ömürlüdür.



Panorama için özel geliştirilen yapıştırıcı sayesinde, alüminyum profil, cama kusursuz bir şekilde tutturulur. Yapıştırıcı ne çok sert ne de çok yumuşaktır. En zor hava koşullarına ve çarpmaya karşı dayanıklıdır.



ByTE

Architecture & Engineering

Control the panorama as you like

With the power generated by the motor, it allows the shaft to move in two directions. As the shaft rotates, it rotates the attached sprocket, which allows up and down movement of the chain attached around the sprocket. The system operates when the outer glass connected to the chain moves in the same direction as the motor rotation.

SOMFY is the most suitable engine option for the Panorama system due to its worldwide recognition, quality understanding and ease of spare parts. 120N.m Altus RTS engine is used as standard in panorama system.

Panorama system can work without any problem for a long time thanks to its perfect fit with quenched gears and chain motor manufactured in accordance with DIN8187 standards.



Panorama powertrain

There are 3 different control options including 1 - 5 - 16 channels. The systems can be controlled individually or simultaneously with the remote control. It is possible to customize each system by giving a number. In addition to the remote control, you can also control the systems from your Android or IOS operating devices with the Tahoma app. TAHOMA is an application that allows you to control systems such as curtains, blinds, awnings, pergolas, zip curtains and Panorama with Somfy Rts engine on your tablet or smart phone. Communication between Tahoma application and Panorama can be easily controlled by the control panel that will be connected to your home or you can provide.

SITUO 1 IO



SITUO 5 IO



NINA IO



Design and Functionality



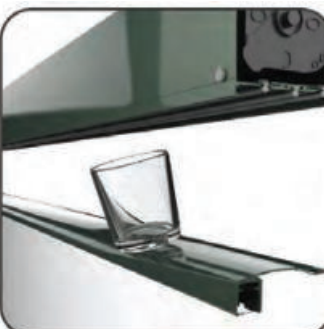
When the total height of the systems in the same place differ, the adjustable fixed glass height option allows for better aesthetics. This is because the same fixed glass height will allow systems to rest at the same level when they are open. The adjustable fixed glass height is also beneficial when a minimum limit of glass height is required for safety and/or other reasons.



If the demanded system height is higher than 3.75 meters, specially designed support profiles are used to reduce the oscillation of the glass and increase its endurance. These profiles can be used in systems which consist of 1 fixed and 1 moving glass.



Byte offers various options of bottom U profiles for both series, single glass and thermal systems. First option is standard U profile which is preferred in applications where the ground is level. Second type of U profile is preferred when ground is not level. With the latter U profile, it is possible to balance the height difference up to 5 cm. The newest version of U profile can balance up to 2 cm of level difference allowing for a better and stronger look.



As standard, 2 types of handrails are offered for single glass systems. One of them is straight and the other is curved. The curved option prevents cups, glasses and other items from getting stuck between the handrail and the upper box, especially in commercial uses. Handrails of systems are also designed in a way to prevent fingers from getting stuck between glasses when the systems are being closed.



The railing profile is not only an aesthetic appearance but also an important element for safety. Prevents possible finger jams between the windows when the system is shut down. When the system is turned on, the lower limit of the engine is set so that there is a 1-2 cm gap between the moving window and the fixed window to prevent possible finger jamming even in the parking position. Side wedges are used at side rails to keep the moving glass at the adjusted height. These side wedges also provide safety by preventing the glass from falling down when there is a system failure.

Media



ByTE
Architecture & Engineering

SLIDING



BYTE offers aesthetic, durable and manual solutions that will let users enjoy residential and commercial indoor spaces all year long with Byte // Sliding systems. Whether it is winter or summer, the system is designed and engineered to keep desired conditions of indoors and protect them from rain, storm, heat and other weather events.

Thanks to Byte // Sliding's specially designed high quality accessories that are made of stainless steel, the system is very durable and has a long life. High standard ROTO is preferred in locking mechanisms.

Just like our other products, Byte // Sliding is designed to ensure ease in operation. With various options in Sliding Systems, such as single glass, thermal glass, various opening, locking and rail options, BYTE makes sure that the highest standards are met for all kind of products.

Sliding Advantages

Feel the power of nature ...

BYTE sliding offers a wide selection of different systems for each application, with or without heat insulation. These two are called BYTE sliding and thermal sliding BYTE. Various door closing solutions, a key and handle for easy sliding grip. Configurations come with solutions of up to 6, 8-10 panels, 3, 4 or 5 pieces along with lateral or central opening.



The layout options are;

Thermal (5+11+5 mm heat insulated tempered glass) option is just available for 4 rail sliding and possible to compound two systems to reach 8 panels. If needed thermal solution may convert to single glass solution as well.



With 5 panels BYTE Sliding, it is possible to compound two systems to reach 10 panels.

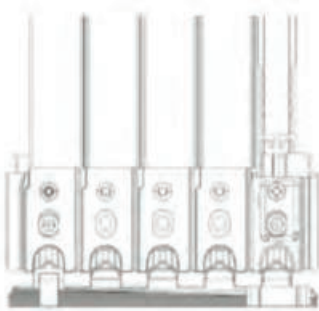


Sliding Advantages

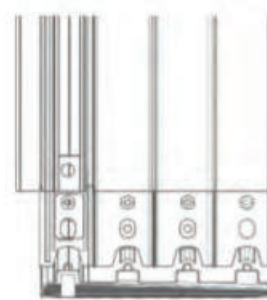
Possible Combinations			
Type of System	5+5	4+4	3+3
HUUN Sliding	✓	✓	✓
HUUN Sliding <i>Thermal</i>	✗	✓	✗

Double Glass Max. Possible Sizes				Single Glass Max. Possible Sizes			
Number of Panels	3	4	5	Number of Panels	3	4	5
Width	✗	100 cm	✗	Width	120 cm	120 cm	120 cm
Height	✗	275 cm	✗	Height	300 cm	300 cm	300 cm

One double wheel durable against 100 kg load and two pieces use at each panel. Maximum panel would be 1.20X3.00 meter at HUUN // Sliding for single and double glass solution and considering this size wheels are more than enough to carry possible heaviest panel. Stainless steel rail cap complementary component between panel and rail and it provides perfect movement with minimum effort and also increasing the life time of wheels by way of not effecting from environment conditions. To compensate for structural variations, the integrated wheels can be height-adjusted by up to 5mm for both types. The panels in system would slide as one while master panel takes the other followers or all panels act individually. With this feature we offer great flexibility to end user. To drain water through the outside, there is side caps of bottom rail. Design of caps fabricated to convey water which is filled in bottom rail channels.



5 Rail 10 mm Single Glass Section View



4 Rail 5+12+5 Thermal Glass Section View

Material and System Parts



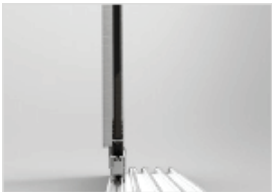
Aluminum

The materials used by Byte Aluminum - aluminum and glass - meet the highest quality and standards. All of the aluminum used in our systems is made of first quality T6 6063 alloys in our own extrusion plant. In this way, we can control the aluminum parameters from raw material to final product to ensure that the desired quality is achieved. Aluminum is not only corrosion-resistant and lightweight, but also highly resistant and is the best material for sliding systems.



Glass

Provides plenty of light and maximum transparency; It meets the demands of increased energy awareness and represents an open room design. Single (10 mm) or double glass (5 + 11 + 5 mm) can be selected and the glass type can be laminated or tempered.



Wheel

Wheels placed on the bottom of the panels on both sides. It is used inside the wheel produced by Castermid and is very suitable for long term use. Thanks to the configurable screw heads, it is very easy to adjust the correct position of the rails of the wheels during the assembly process. Stainless



Choice Of Colors

Various high-quality finish options (QUALICOAT Certified), anodised or wood finish surfaces for aluminum allow customers to customize the HUUN Slides. Above all, it helps to provide a strong durability to aluminum. As an option, it is possible to choose different color options for opac, tinted green, blue, bronze, clear and mirrored lenses.



Stainless Steel Rail

Provides soft slide when opening and closing the op and panels of steel and bottom rail covers to increase friction resistance. The weight of the panels on the ground therefore prevents stress on the upper load bearing beam while maintaining maximum structural stability. impermeability



Hardware

The painted aluminum handle is placed on a side probe located on the abutment next to the door. By rotating the lever down, the counter-thrust lateral pressure exerts pressure on the panel, compresses them from the opposite side, thereby improving system resistance and stability, except for impermeability. Standard glasses placed on the first panel. Elegant



Sealing

To enhance full protection against wind and rain, the fittings of the panels are equipped with a standard sealing gasket assembly.

PERGOLA

Pergolas are a great way to add a lot of color and privacy to the exterior. A pergola can provide an elegant transition between indoor and outdoor. We offer the Gold and Diamond Series to our customers and help them to expand and improve the tasteful outdoor space, protecting them from the sun and the elements.



The system works with special stretcher and transmission system and is very suitable for outdoor use. Thanks to its qualified fabric, it provides energy saving as well as shading sun. Built-in LED lighting gives end users an aesthetic appeal and comfort. With the remote control you can switch the system on and off in seconds with minimal effort.

Pergola Advantages

4 SEASONS COMFORT

Pergola systems are the best choice for adjustable shading and private living outdoors. It is possible to provide an elegant transition between indoor and outdoor areas. With the Gold and Diamond series we have developed, we create an entertaining environment in addition to increasing the outdoor usage of our valued customers. It also provides protection from the sun and other factors.

The system works with a special tension and transmission system and is very suitable for outdoor use. Thanks to its qualified fabric, it provides energy saving as well as sun protection. With LED lighting, it brings aesthetic appearance and comfort to the end user. With remote control, the system switches on and off in seconds with minimum effort. Emre Aluminum Inc. design and implement optional measures and functions in accordance with the customer's environment and environment.

- ✓ HIGH WIND RESISTANCE
- ✓ SALT RESISTANCE
- ✓ 100% WATERPROOF
- ✓ NO WATER CONDENSATION
- ✓ COOL MEDIA
- ✓ HEATING
- ✓ DRAINAGE EXCELLENCE
- ✓ SOUND INSULATION

Application And Opening

- ✓ Aesthetic charm. ✓ Suitable for use between 4 seasons. ✓ Optional profile and fabric colors selection.
- ✓ Various application sizes. ✓ Choice of different lighting types and lighting colors.
- ✓ It is possible to combine several systems to cover large areas.

Retractable Pergola Features

- ✓ Adjustable opening levels. ✓ Remote control. ✓ Various application options.
- ✓ Quiet operation. ✓ Low maintenance. ✓ Ease of installation and transportation.
- ✓ Integrated lighting makes the air perfect when the sun goes down.

Advantages of Retractable Pergola

- ✓ Individual geometries can be realized (adaptable to garden, garden, patio, balcony)..
- ✓ Provides protection against wind, rain and even snow.
- ✓ Resistant to strong winds. ✓ Extends outdoor use.
- ✓ Saves energy and prevents fading of furniture, floors and carpets.

Smooth



Emerald



Curved



Ruby



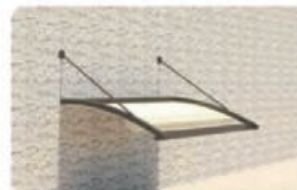
Silver



Sapphire



Crystal



Pearl



Media



CLIMATIC

BYTE Climatic is a remotely adjustable sun shading system. It allows the air flow through rotating aluminum blades and thus helps to control the temperature under the application area by preventing the accumulation of heat.

Illumination can be a problem in some places, especially during winter. When compared to standard pergola systems, with the help of its rotational blades, Byte Climatic also has additional benefits in terms of illumination. The system can let daylight in and create naturally illuminated living places.

BYTE Climatic, is a modular, modern and convenient solution that will transform your outdoor living places into more comfortable, versatile and visually appealing versions of themselves while appreciating the value of your property.



ByTE

Architecture & Engineering

Climatic Advantages

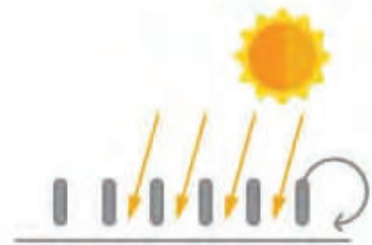
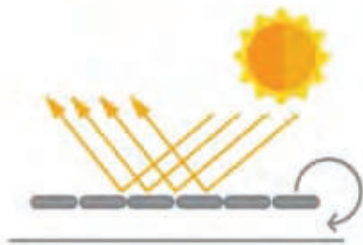
Outdoor living between all seasons ..

BYTE has combined with great practicality with design and understanding of superior technical solutions, creating an elegant blend of functionality and style. The system is powered by a tubular motor placed inside a reinforced octagonal tube. To transfer motor movement, two gears placed on the octagonal tube on both sides and the other two gears are connected to the first blade. To run synchronous operation, these two different gears are connected to each other by special chains. Thus, we can turn the system on and off with this mechanism. System knives and blade size 17 cm are designed as the highest resistance to weather conditions. At the top of the blades, the elegant extension profile instead of to hide on the groove. This gives extra strength to the groove and minimizes the deflection between the two legs.

Sistemin Avantajları

- ✓ With extension profiles The length of the groove piece reaches 27.3 cm.
- ✓ 13X13 cm Box profiles use the corner legs and the middle part if you use multiple systems integrated in the 22X14 cm legs. Water drainage is guaranteed by a well-designed water flow plan.
- ✓ The maximum size of the single module is 450X600 cm and the blades can be opened up to 90 degrees and it is possible to choose the open direction depending on the amount of light or shade according to the wishes it is in.
- ✓ When the system is completely closed, BYTE // The climate is water-resistant and the water is discharged with integrated gutters and the column acts as drainage pipes.
- ✓ The system operates with a 2.5 RPM tubular motor and takes 9 seconds to fully open. When the system is fully open, the overall height exceeds only 2 cm remains visible on the outside.
- ✓ The need for one or two synchronous motors calculated by BYTE, depending on the size of the system. Standards of a motor 3.5 m wide and 4 m projection is possible. After this size, we offer two synchronized motors to balance the service system.

System Advantages



Single Module		
	Width Min	Width Max
X	200 cm	450 cm
Y	100 cm	600 cm
Z	200 cm	300 cm

Double Module		
	Width Min	Width Max
X	450 cm	800 cm
Y	100 cm	550 cm
Z	200 cm	275 cm

Square Module		
	Width Min	Width Max
X	450 cm	800 cm
Y	550 cm	1000 cm
Z	200 cm	250 cm



ByTE

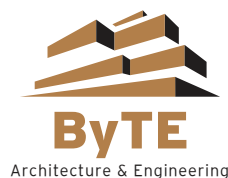
Architecture & Engineering

ROLLING ROOF



BYTE Rolling Roof is an elegant and durable solution to enhance the comfort of outdoor living spaces. Made of durable aluminum alloy, BYTE Rolling Roof is resistant to undesirable weather conditions and can be used for years. The retractable blades help you control the daylight and the fresh air.

BYTE Rolling Roof can be used in residential and commercial buildings and will make application areas more intact with the surrounding environment.



SCREEN

BYTE Screen, can be used in residential and commercial places to create comfortable and visually appealing environments. BYTE Screen has specially designed zippers that are welded to the edges of the fabric. This special design and superfine fabric provide a secluded, private living space that keeps excessive sunlight and insects away while decreasing the undesirable effects of wind and rain.



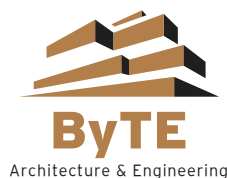
Screen Advantages



Advanced outdoor shading system...

Zip Curtain systems are outdoor shading systems designed to provide comfort in all seasons. The main point of the system is that the specially designed zipper mechanism has super-strong sole closure by welding with industrial fabric or film which is one of the most important parts of the system. Zip Curtain systems provide privacy, protecting you from the sun, wind, rain and pests for years.

Zip Curtain is designed for home and commercial spaces and is designed to fully enjoy the open air. Patio, window, pergola, balcony etc. can be assembled as shade. Preventing the heat of the sun without absorbing window glass will provide many advantages to our valued customers.



Zip Curtain Details

- ✓ Aluminum Profile Rail: 5 * 3cm
- ✓ Aluminum Profile Top Box: 9 * 12 cm
- ✓ Control: Remote Control
- ✓ Engine: SOMFY
- ✓ Fabric: Serge Ferrari Soltis86 standard, Soltis92 and Soltis96 optional
- ✓ Surface color: All RAL and anodized colors

Why Zip Curtain?

- ✓ High-tech motorized outdoor shade
- ✓ Modern View
- ✓ Special prestressed Serge Ferrari technology
- ✓ Impressive functional and aesthetic features
- ✓ Perfect fit between Panorama - Pergola - Zip Curtain.

Zip Curtain Features

- ✓ Ease of installation and use
- ✓ Quiet operation / <38 Db
- ✓ Resistant to strong wind and impacts / <130 km / h
- ✓ Ultraviolet light resistance, fabric breaking strength and elongation / 230/160 daN / 5 cm
- ✓ Eco-friendly / 100% recyclable
- ✓ Micro ventilation and waterproof



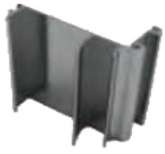
VERANDA

Byte Veranda is a glass roofing solution for outdoor living places that upgrades them to become more comfortable and enjoyable. Byte Veranda helps to create naturally illuminated, spacious and visually aesthetic outdoor areas. This superfine, state of art, easily customizable solution will provide you the winter garden of your dreams, allowing you to see the blue sky during the day, or the stars at night, in full view. With Byte Veranda our terraces, gardens and other outdoor spaces can have the best of what both indoors and outdoors have.



Byte Veranda can be combined with other Huun products such as Byte // Panorama and Byte // Sliding to enhance the experience. The aesthetic design and carefully constructed geometry of Byte Veranda will revolutionize the architecture of your property, presenting a truly modern outlook with a bold essence of harmony and delight.

Veranda Technic Details



06 - Acı Profili



07 - Yan Kapak Profili



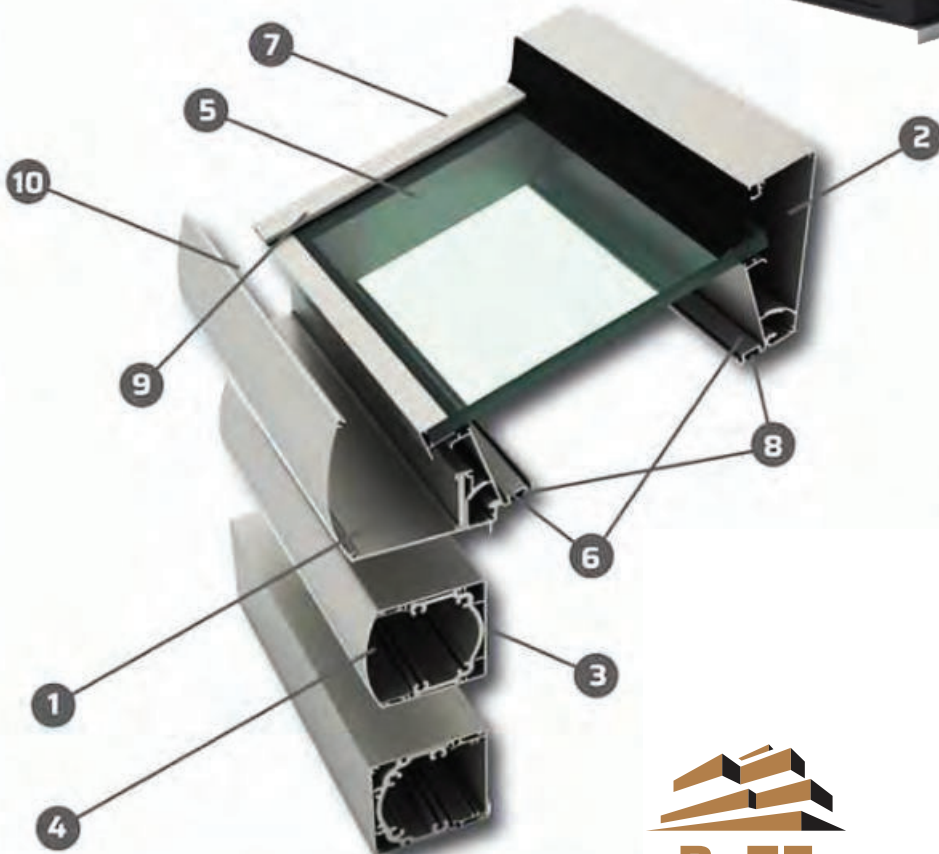
08 - Acı Kapak Profili



09 - Orta Kapak Profili



10 - Oluk Kapak



01 - Oluk Profili



02 - Duvar Profili



05 - Taşıyıcı Profili



03 - Ayak Profili



04 - Ayak Kapak Profili

12 - Contalar



Media



FACADE SYSTEMS

Byte Facade Systems; It is expert and competent in all areas of FACADE SYSTEMS such as Curtain Walls, Ceramic Facades, Aluminum Facades, Aluminum Windows, Aluminum Door Frames, Transparent Facades and Stainless Steel.



ByTE

Architecture & Engineering

Facade Systems Details

EF-50 Curtain Wall Stick System

EF-50/ST is 50mm width non thermal steel view facade system. The system can be condensate system or non condensate system. For non condensate system horizontal profiles used also as a vertical profiles. For condensate system vertical profiles has condensate channel to discharge the water easily to the down. There is high air and water permeability. EF-50/ST has steel view designed profiles.

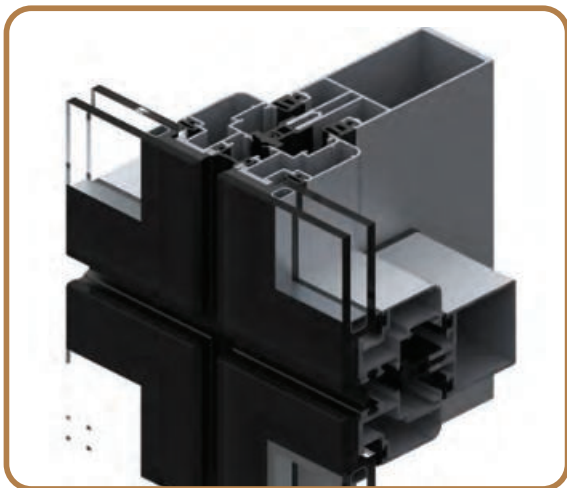
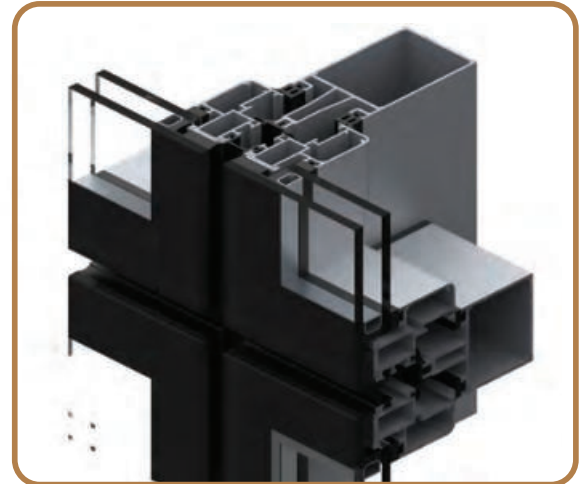
Visible Inner Part : 50mm

Visible Outer Part : 20mm

Glassing Method : Bonding

Applicable Glass Thickness : 24mm

Sash Alternative : Insulated – Non-Insulated



SG 50K Curtain Wall Stick System

SG-50K is 50mm width and high insulated facade system. Vertical profiles has condensate channel to discharge the water easily to the down. There is high air and water permeability. SG-50/SG system is used with cassette frame. The glass is bonded to the cassette frame. The cassette can be open.

Visible Inner Part : 50mm

Visible Outer Part : 16mm

Glassing Method : Bonding

Applicable Glass Thickness : 24mm

Sash Alternative : Insulated – Non-Insulated

EF-50 Curtain Wall Stick System

EF-50/ST is 50mm width non thermal steel view facade system. The system can be condensate system or non condensate system. For non condensate system horizontal profiles used also as a vertical profiles. For condensate system vertical profiles has condensate channel to discharge the water easily to the down. There is high air and water permeability. EF-50/ST has steel view designed profiles.

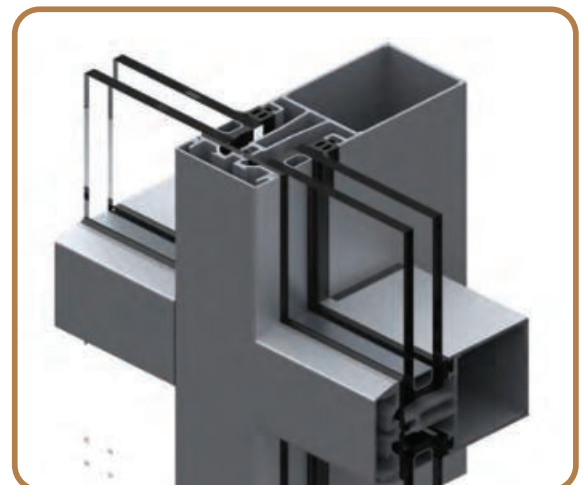
Visible Inner Part : 50mm

Visible Outer Part : 20mm

Glassing Method : Bonding

Applicable Glass Thickness : 24mm

Sash Alternative : Insulated – Non-Insulated



ByTE

Architecture & Engineering

Media



Media



ByTE

Architecture & Engineering

ALUMINUM JOINERY GROUP

Aluminum joinery is the process of cutting and processing different aluminum profiles up to 6 meters long and making these products a functional place in our lives as a door, window, glass balcony system. Aluminum joinery can be produced in different ways with or without heat insulation. C60 uninsulated profiles consist of different aluminum profiles such as aldoks uninsulated profiles. Today, it is generally preferred in workplaces other than homes because of its slightly high cost.



ByTE
Architecture & Engineering

Aluminum Joinery Details

C-60 Aluminium Joinery System

C-60 is non thermal door window system specially designed for showrooms and shops for the showcase usage. Profile thickness is 1,6mm. The system has 60mm depth. The door can be open outward or inward depending of the project. Glass assembly can be done from inside and outside. It is easy to change glass.

Frame: 60mm

Sash: 60mm

Glass Thickness: 4mm – 34mm



S-55 Non-insulated Door & Window System

S-55 is non thermal window and door system. It is very economic. Easy install and fabrication is the property of the system. There is 3 gasket at the system. It is suitable for European norms. That's why tilt and turn, pivot window, tilt and slide can be done. Thickness of the profiles are 1.5mm and 2mm.

Frame: 55mm

Sash: 65mm

Glass Thickness: 4mm – 40mm

SI-58 Insulated Door & Window System

SI-58 is 3 chamber thermal system. It is suitable for European norms . There is 3 gasket at the system. It is suitable for European norms. That's why tilt and turn, pivot window, tilt and slide can be done. PVC tilt and turn mechanism is possible to use. Thickness of the profiles are 1.5mm and 2mm

System Performance

Uf: 2.71 W/m²K (Sistem Isı İletme Performansı)

Water Tightness: Class 9A (EN 12208)

Air Permeability: Class 4 (EN 12207)

Resistance to Wind Load: C2-C5 (EN 12210)

Technical Specifications

Frame : 58mm

Sash : 58,5-61,5-68mm

Thermal Brake Size: 17,8mm

Glass Thickness: 16mm – 41mm



ByTE

Architecture & Engineering

Aluminum Joinery Details

EW-55 Insulated Door & Window System

EW 55 is specially designed for thermal insulation. There is 20 mm thermal brake on the profile and in the middle epdm gasket with double touch property to obtain high thermal and noise insulation in all weather condition. The profile widths are minimized to have a maximum light in the building. The system has different esthetic views with straight and oval profiles.

System Performance

Frame: 55mm

Sash: 64mm

Uf: 2.71 W/m²K (Thermal Insulation)

Uw: 1.87 W/m²K (Window Thermal Insulation)

Water Tightness: Class 9A (EN 12208)

Air Permeability: Class 4 (EN12207)

Resistance to Wind Load: C2-C5 (EN12210)



Technical Specification

Frame: 55mm

Sash: 64mm

Thermal Brake Size: 20mm

Glass Thickness: between 4mm to 32 mm



Aluminum Joinery Details

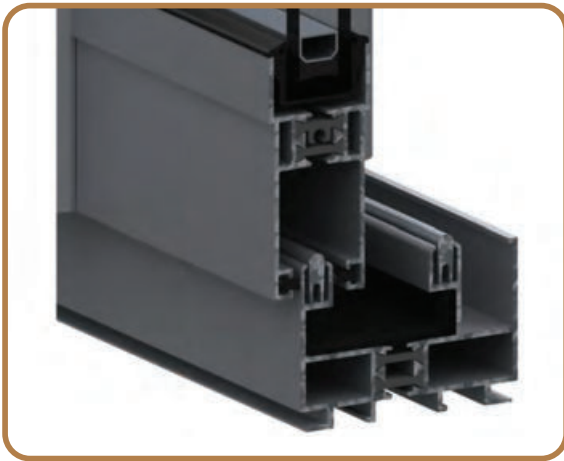
SS-68 Non-insulated Sliding System

SS 68 is non-insulated and decorative view sliding window and door system. 20mm and 24 mm glass can be used at the system. For easy running, roller can be adjusted. There are different various of frame profiles that can be used.

Frame: 67.5mm – 89.8mm – 95.5mm

Sash: 31.5mm

Applicable Glass Thickness: 20mm – 24mm



SSI-68 Insulated Sliding System

SSI-68 is thermal and decorative view sliding window and door system. 20mm and 24 mm glass can be used at the system. For easy running, roller can be adjusted. There are different various of frame profiles that can be used.

Frame: 67.5mm – 89.8mm – 95.5mm

Sash: 31.5mm

Thermal Brake Size : 14.8mm

Applicable Glass Thickness : 20mm – 24mm

SSI-128 Insulated Sliding System

SSI-128 is thermal and high insulated lift and slide system. The sash weight can be until 250-300 kg and sash height can be until 3 meters. There is epdm gaskets between frame and sash and this makes the system high insulated. All European norm mechanisms can be use at the system.

Frame: 128mm – 201mm

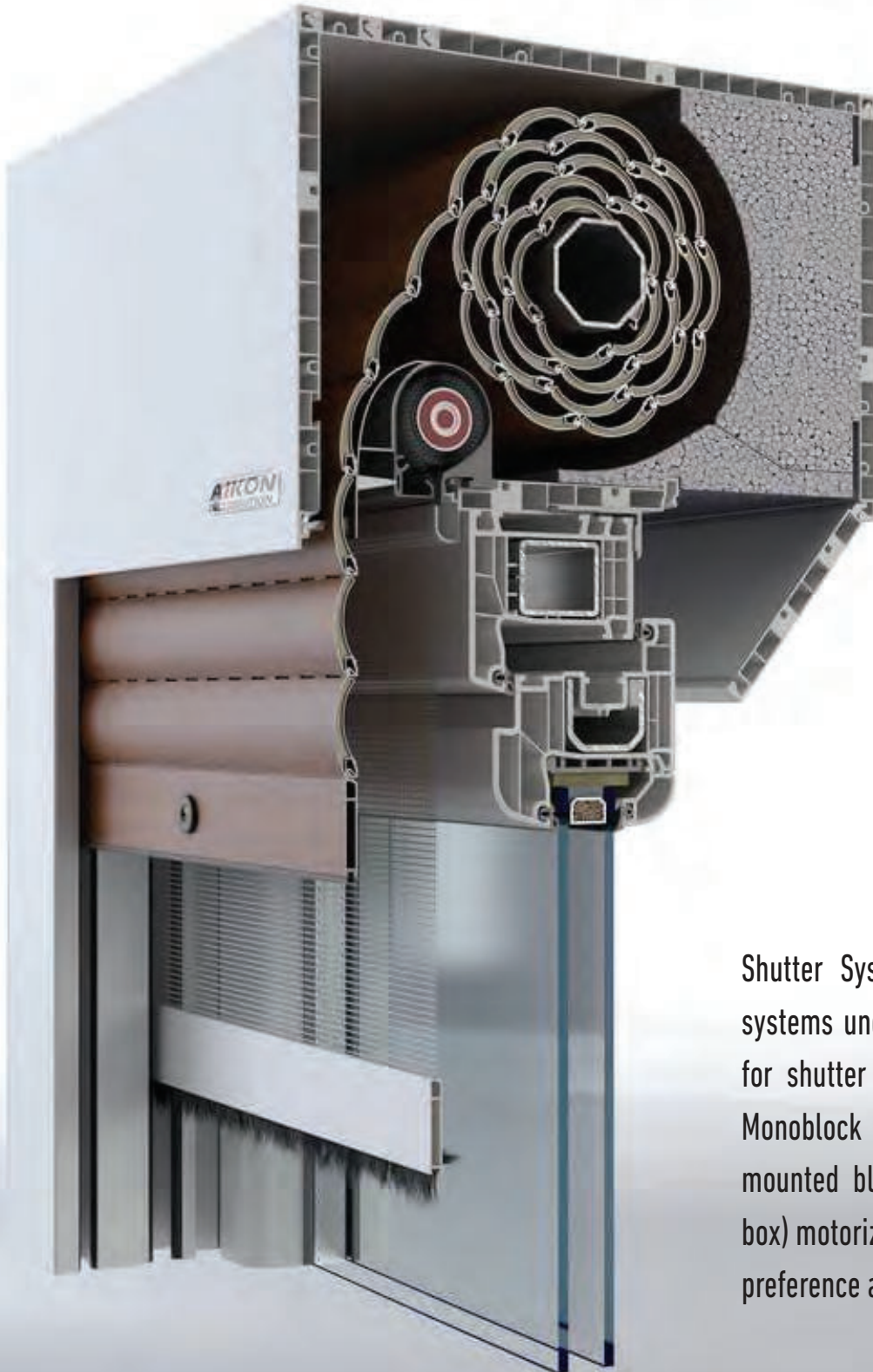
Sash: 55mm

Thermal Brake Size : 18mm – 20mm

Applicable Glass Thickness : 40mm – 32mm



SHUTTER GROUP



Shutter Systems has three different systems under an automatic structure for shutter production and assembly. Monoblock boxed blinds, externally mounted blinds and detailed (hidden box) motorized blinds vary according to preference and installation areas.



Architecture & Engineering

Media



ByTE

Architecture & Engineering



ByTE

Architecture & Engineering



www.bytemimarlik.com



info@bytemimarlik.com



Office: Yakuplu Mh. Yakuplu Cd. Ceylan Rezidance 6/150
Beylikdüzü - İstanbul / TÜRKİYE



Workshop: Ambarlı Mh. Hikmet Sk. No:2/A
Avcılar - İstanbul / TÜRKİYE